



Introducing Squirrel's WS142H Widescreen Terminals



Elevate your restaurant's appearance

Charm guests with these sleek and lower profile terminals that seamlessly blend into your restaurant's décor. The WS142H rivals the modern look of tablets while providing the same full-featured enterprise capability and screen workspace as a traditional POS terminal.



DRIVE REVENUE BY ENHANCING THE GUEST EXPERIENCE

- > **Promote a cleaner aesthetic** The bezel-less front makes it easy to clean and looking factory fresh. Designed for invisibility, the smaller footprint, reduced profile and flexible positioning of the WS142H terminals allow them to blend into their environment.
- > **Transform your look** Featuring a 16x9 aspect ratio bright screen, and projected capacitive (PCAP) screens, the WS142H terminal has a tablet-style appearance that takes a restaurant's presentation to the next level.
- > **Enable efficient and more personal service** The WS142H provides servers with ample screen workspace for flexible button sizing, speedy order entry and billing, and its reduced height encourages eye contact with guests at counters and bars.

REDUCE EXPENSES WITHOUT SACRIFICING QUALITY OR PERFORMANCE

- > **Invest in durable, future-friendly technology** Powered by state-of-the-art Quad Core ARM processors and made using damage-resistant PCAP glass, these terminals will stand the test of time and fast-paced restaurant environment.
- > **Take advantage of a speedy Linux operating system** The WS142H runs a Squirrel restaurant-hardened Linux-based operating system which is lighter-weight, low maintenance and resilient to security attacks.
- > **Benefit from lower power requirements** Quad Core ARM processors feature high performance that requires less energy for eco-friendly operational cost savings.



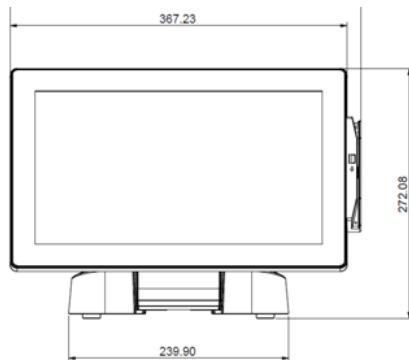
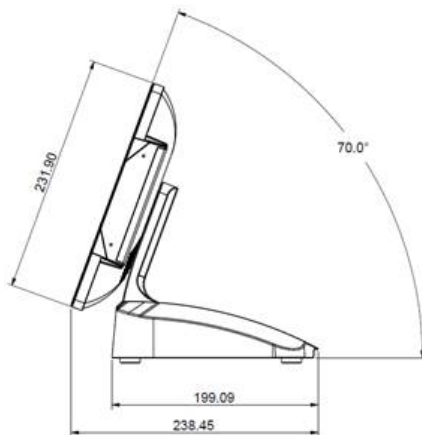
We're here to help grow your business. For more information about the **WS142H SERIES** contact a Squirrel representative
1.800.388.6824



WS142H

Widescreen Terminals Technical Specifications

- 14-inch, 16x9 aspect ratio widescreen terminal
- Projective capacitive (PCAP) glass touchscreen
- Tilting stand that enables flexible positioning
- Cable management and easy access to I/O space
- Quad Core ARM processor
- Squirrel Linux-based operating system



Motherboard

CPU	Quad Core Cortex-A72 (ARM v8) 64-bit SoC @ 1.8 GHz
System Memory	8GB LPDDR4-3200 SDRAM

LCD Panel

LCD Size	14" widescreen TFT LCD, 16:9 aspect ratio
Maximal Resolution	1366 x 768
Brightness	200 nits (typ)
Backlight	LED
Touch Screen	True flat projective capacitive (PCAP) touch
Tilt Angle	0° - 110° (without custom display)

Storage

MicroSDHC 32GB

I/O

USB	5 x USB ports (2x v3.0, 3x v2.0)
Serial / COM	1 x DB9, configured as COM2 for Squirrel printer
LAN Ethernet	1 x RJ45 Gigabit(10/100/1000Mb/s)
DC Jack	4-pin DIN type DC12 V

Connectivity Support

Serial: connect one of: POS printer, 2x20 character customer facing display, 1D or 2D barcode reader, or scale USB: keyboard, mouse, USB-Serial Converter

Power Adapter

12V/40W (external)

Power Interfaces

Front-facing power/activity LED, soft I/O button

Peripherals

MSR (incl std)	3 tracks (USB) (track 3 turned off for Squirrel standard)
Wall Mount (optional)	VESA 75 x 75 mm

Environment

EMC & Safety	CE, FCC Class A
Operating Temperature	0°C - 35°C
Storage Temperature	-20°C - 60°C
Operating Humidity	20% - 85% RH non-condensing
Storage Humidity	20% - 85% RH non-condensing

Dimensions (WxDxH)

382 x 240 x 262 mm / 15.0" x 9.4" x 10.3"

Weight (NW / GW)

4 kg / 5 kg