



Introducing Squirrel POS WS140 Series Terminals



Elevate your restaurant's appearance

Charm guests with these sleek terminals that seamlessly blend into your restaurant's décor. The WS140H rivals the modern look of tablets while providing the same full-featured enterprise capability and screen workspace as a traditional POS terminal.



DRIVE REVENUE BY ENHANCING THE GUEST EXPERIENCE

- > **Promote a cleaner aesthetic** Designed for invisibility, the smaller footprint, reduced profile and flexible positioning of the WS140H terminals allow them to blend into their environment.
- > **Transform your look** Featuring a 16x9 aspect ratio and bright projective capacitive (PCAP) screens, the WS140H terminal has a tablet-style appearance that takes a restaurant's presentation to the next level.
- > **Enable efficient and more personal service** The WS140H provides servers with ample screen workspace for speedy order entry and billing, and its reduced height encourages eye contact with guests at counters and bars.

REDUCE EXPENSES WITHOUT SACRIFICING QUALITY OR PERFORMANCE

- > **Invest in durable, future-friendly technology** Powered by state-of-the-art Quad Core ARM processors and made using damage-resistant PCAP glass, these terminals will stand the test of time and fast-paced restaurant environment.
- > **Take advantage of a speedy Linux operating system** The WS140H runs a Squirrel restaurant-hardened Linux-based operating system which is lighter-weight, low maintenance and resilient to security attacks.
- > **Benefit from lower power requirements** Quad Core ARM processors feature high performance that requires less energy for eco-friendly operational cost savings.



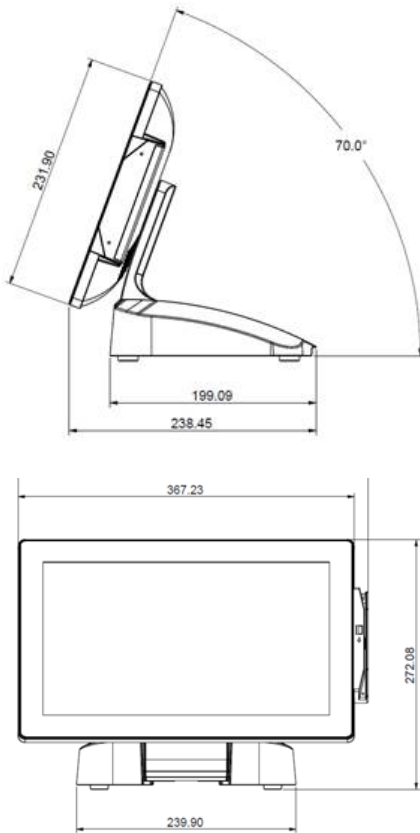
We're here to help grow your business. For more information about the WS150 SERIES contact a Squirrel representative 1.800.388.6824
© Squirrel Systems 2021



WS140 Series

Technical Specifications

- 14-inch, 16:9 aspect ratio widescreen terminal with support for 4:3 Compatibility Mode
- Projective capacitive (PCAP) glass touchscreen
- Tilting stand that enables flexible positioning
- Cable management and easy access to I/O space
- Quad Core ARM processor
- Squirrel Linux-based operating system



Motherboard

CPU	Quad Core ARM Cortex A53 (ARM v8) cluster, 1.4 GHz
System Memory	1GB LPDDR2 at 900MHz

LCD Panel

LCD Size	14" widescreen TFT LCD, 16:9 aspect ratio
Maximal Resolution	1366 x 768 (Also supports 1024x768 in 4:3 Compatibility Mode.)

Brightness 220 nits (typ)

Backlight LED

Touch Screen True flat projective capacitive (PCAP) touch

Tilt Angle 0° - 110° (without custom display)

Storage MicroSDHC 8-32GB

I/O

USB 5 x USB ports (v2.0)

Serial / COM 1 x D9*+ 2 x D9 via USB adapter

* fixed D9 enumerates to COM2

LAN Ethernet 1 x RJ45 (10/100/1000Mb/s)

DC Jack 4-pin DIN type DC12 V

Connectivity Support

Serial: Up to 3 x devices: POS printer, 2x20 customer facing character display, barcode reader, scale, RFID reader
Barpou
USB: keyboard, mouse, serial adaptors

Power Adapter 12V/40W (external)

Power Interfaces Front-facing power/activity LED, soft I/O button

Peripherals

MSR (incl std) 3 tracks (USB) (track 3 turned off for Squirrel standard)

Wall Mount (optional) VESA 75 x 75 mm

Environment

EMC & Safety CE, FCC Class A

Operating Temperature 0°C - 35°C

Storage Temperature -20°C - 60°C

Operating Humidity 20% - 85% RH non-condensing

Storage Humidity 20% - 85% RH non-condensing

Dimensions (WxDxH) 382 x 240 x 262 mm / 15.0" x 9.4" x 10.3"

Weight (NW / GW) 4.25 kg / 5.25 kg